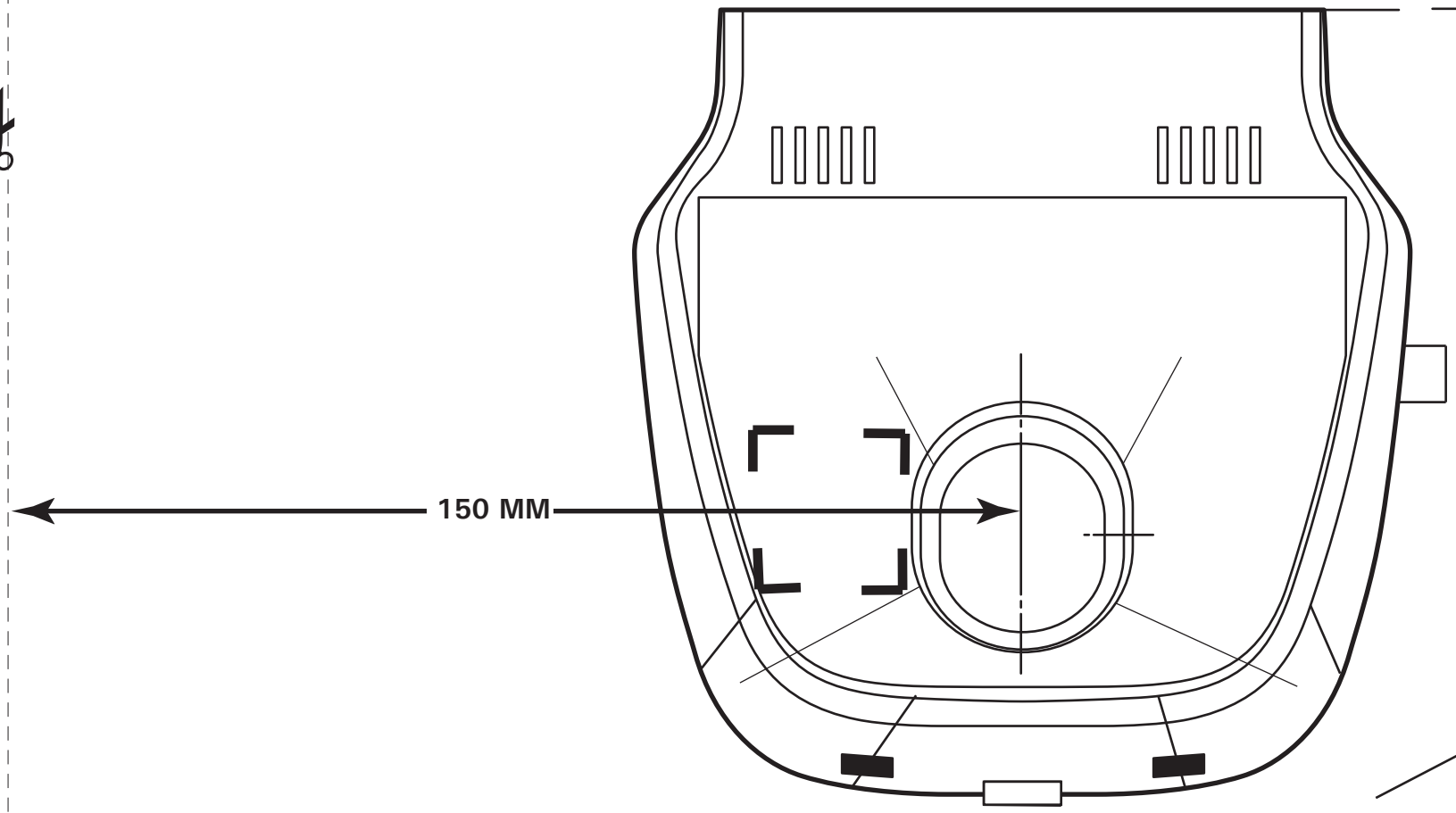


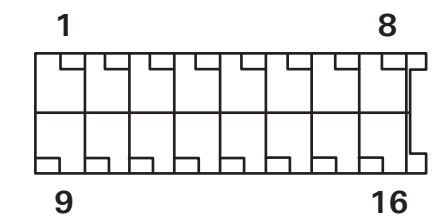
**Camera Installation**  
See OnLane2™ Maintenance Manual MM1814 for detailed installation instructions.

**Harness Connector Pin Assignment**

| Pin # | Signal Name       | Pin # | Signal Name                   |
|-------|-------------------|-------|-------------------------------|
| 1     | Key 30 (Battery)  | 9     | Left Turn Signal              |
| 2     | Key 31 (Ground)   | 10    | Right Turn Signal             |
| 3     | Key 15 (Ignition) | 11    | Status Lamp                   |
| 4     | CAN J1939 High    | 12    | Enabled Lamp/Radio Mute       |
| 5     | CAN J1939 Low     | 13    | Left Speaker +                |
| 6     | Private CAN High  | 14    | Left Speaker - /Left Haptic   |
| 7     | Private CAN Low   | 15    | Right Speaker +               |
| 8     | Switch Input      | 16    | Right Speaker - /Right Haptic |



Install the bracket so the bottom surface of the camera is level  $\pm 1.5$  degrees when the truck is parked on a level surface.



**Bracket Installation**

**CAUTION:** Prior to installing the bracket, ensure that the windshield glass surface temperature ranges between 70° and 100°F, otherwise the bracket will not properly adhere to the windshield.

**NOTE:**

- 1) The windshield should be cleaned with a 50/50 mixture of isopropyl alcohol and water prior to applying the 3M VHB 4991B tape.
- 2) The windshield surface should be dry and free of condensed moisture. A silane promoter can also be used to improve adhesion.
- 3) If required, the tape (attached to the bracket) could be warmed up to the temperature range before applying it to the windshield. This may help to obtain full contact between the tape and the windshield.
- 4) Once the bracket is placed in its installed position, the bracket should be gently pressed to the glass surface to increase adhesion. Only the flat surface of the bracket should be pressed, not the area with snaps or air flow ridges. The recommended pressure for installation is 10N/cm<sup>2</sup> related to the area of adhesive tape.
- 5) To achieve good adhesion, the bracket needs to be pressed onto the windshield for 5 seconds before releasing the pressure again. Repeat this step across all areas of contact to avoid formation of air gaps. For a second check, look carefully at the windshield from the outside to ensure full contact of the adhesive tape and appropriate installation of the bracket.
- 6) The installation tolerances of the bracket are:
  - a. Height =  $\pm 0.1$ m
  - b. Offset =  $\pm 0.1$ m

**WABCO**

**OnLane2™ Installation Template**

Navistar LT/RH  
One-Piece Windshield