

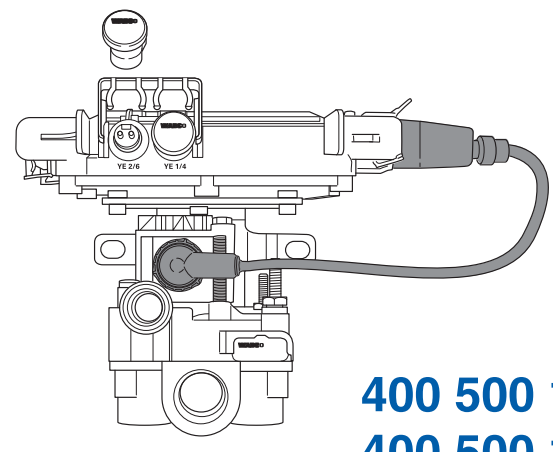
Support Literature:

PB-96133	Trailer ABS Parts Book (both Easy-Stop and Enhanced Easy-Stop)
MM-33	Easy-Stop Trailer ABS Maintenance Manual
MM-0180	Enhanced Easy-Stop Trailer ABS Maintenance Manual
TP-0173	Trailer ABS Blink Code Diagnostic Guide

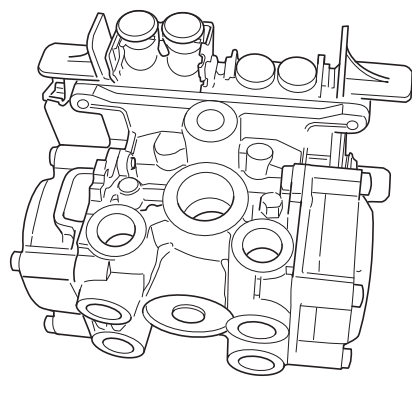
For Service/Aftermarket Orders:

United States	888-725-9355
Canada	800-387-3889
On-Line Orders	www.XpresswayPlus.com

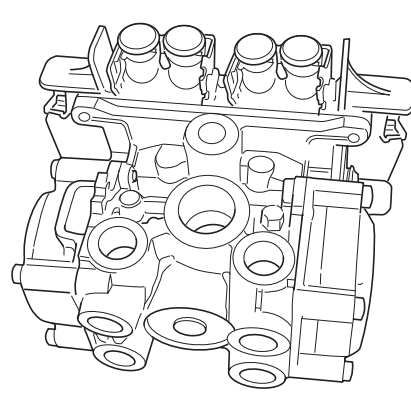
Enhanced Easy-Stop Trailer ABS: Production Dates of March 2001 to Present



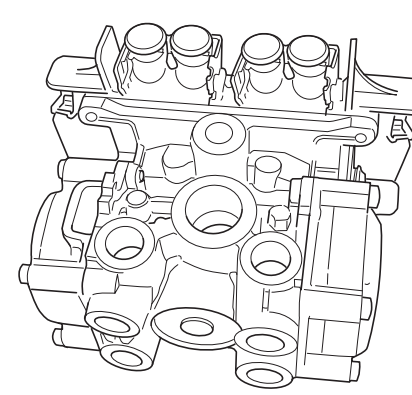
400 500 101 0
400 500 104 0
400 500 106 0*



400 500 102 0



400 500 103 0



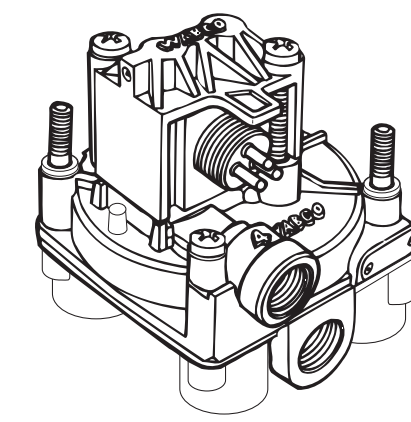
400 500 105 0*

ECU/Valve Assembly	Description	Service ECU	Service Valve	Bracket
S400 500 101 0	2S/1M Trailers	S446 108 201 0	S472 195 033 0	S478 407 058 4
S400 500 104 0	2S/1M Dollies	S446 108 204 0	S472 195 033 0	S478 407 058 4
S400 500 106 0*	2S/1M Trailers	S446 108 206 0	S472 195 033 0	S478 407 058 4
S400 500 102 0	2S/2M	S400 850 600 0	S400 850 602 0	
S400 500 103 0	2S/2M, 4S/2M, 4S/3M	S400 850 601 0	S400 850 602 0	
S400 500 105 0*	2S/2M, 4S/2M, 4S/3M			

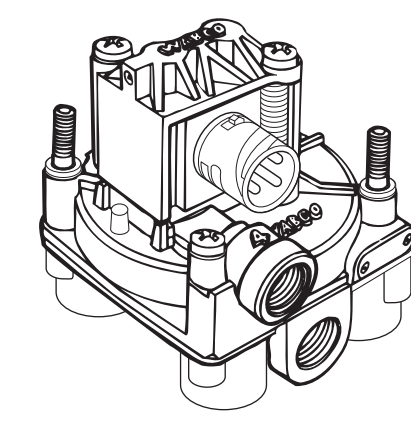
*with InfoLink capability

External Modulator Valves

For 3M Enhanced Easy-Stop or 2M/3M Easy-Stop Units



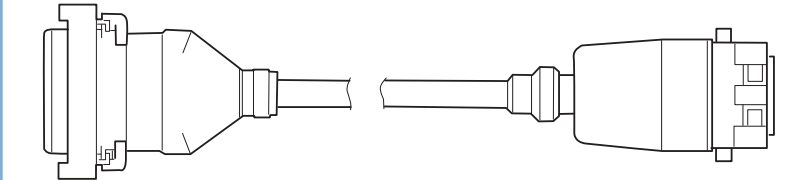
Trailers Produced Before April 1, 1999
R955378
(Modulator Valve and Adapter)



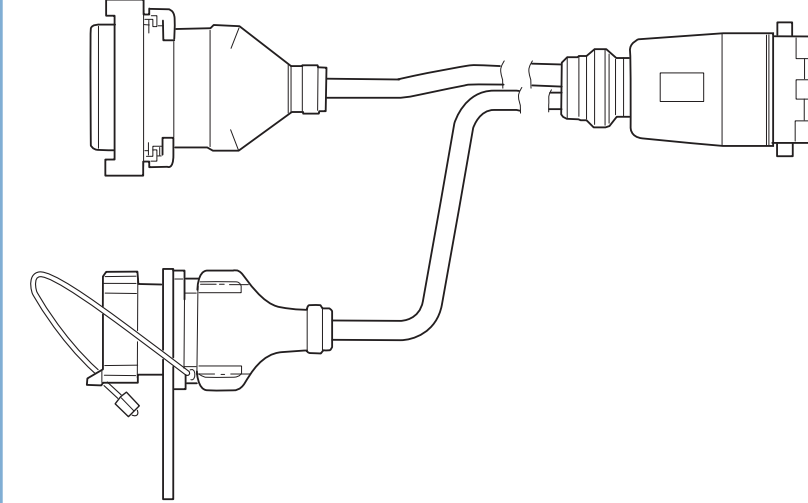
Trailers Produced After April 1, 1999
S472 195 033 0

Easy-Stop to Enhanced Easy-Stop Power Adapter Cables

Power Adapter Cable – S894 607 312 0

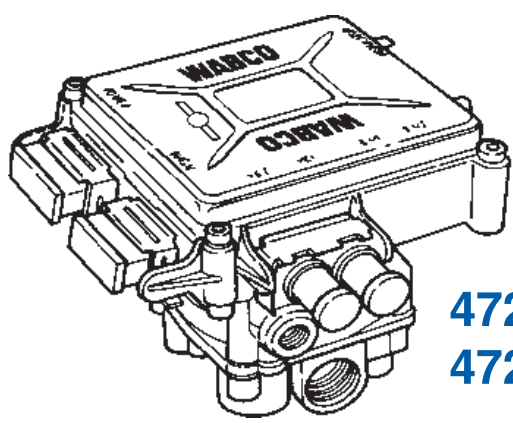


Power/Diagnostic Adapter Cable – S894 607 313 0

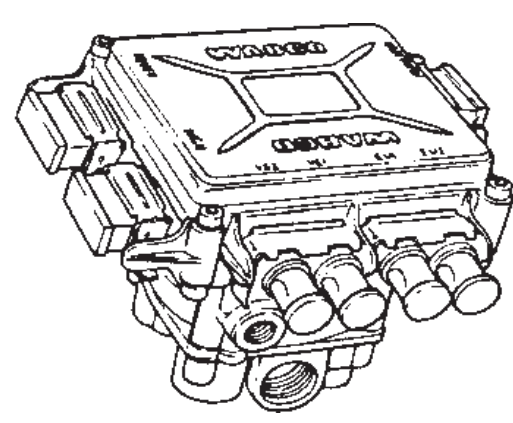


Easy-Stop Trailer ABS: Production Dates of March 1997 to February 2001

Easy-Stop ECU/Valve Assemblies are no longer available, however service kits are available to upgrade to Enhanced Easy-Stop. These kits contain an Enhanced Easy-Stop ECU/Valve Assembly and either a Power Adapter Cable or Power/Diagnostic Adapter Cable for improved troubleshooting capabilities. The adapter cable plugs into the existing Easy-Stop power cable and the provided Enhanced Easy-Stop ECU/Valve Assembly.



472 500 011 0
472 500 021 0

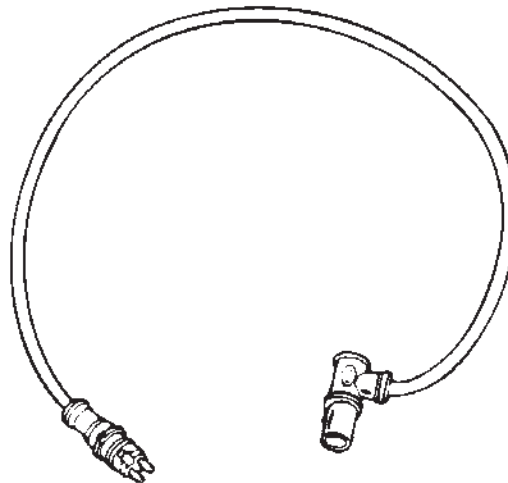
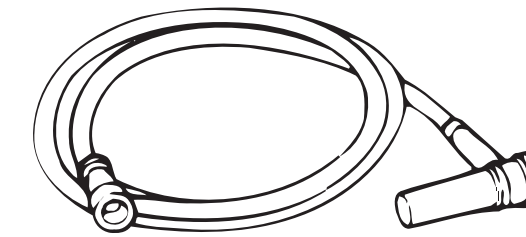


472 500 012 0
472 500 013 0

ECU/Valve Assembly	Description	Service Kit with Power Adapter	Service Kit with Power/Diagnostic Adapter
S472 500 021 0	2S/1M Trailers	R955344	R955345
S472 500 011 0	2S/1M Dollies	R955322	R955323
S472 500 012 0	2S/2M	R955320	R955321
S472 500 013 0	2S/2M, 4S/2M, 4S/3M	R955346 w/11M Mod Cable	R955347 w/11M Mod Cable

Sensors and Sensor Extension Cables

To provide you with the appropriate components to properly service ABS sensors, WABCO offers sensors in the form of a service kit containing a sensor, sensor spring clip, and grease packet to assist in proper installation. Sensors and Sensor Extension Cables work for both Easy-Stop and Enhanced Easy-Stop Trailer ABS.



Length	Sensor Kit	Sensor in Kit	Sensor Extension Cable
1.0 ft (0.3 m)	R955335	441 032 808 0	
3.0 ft (1.0 m)	R955336	441 032 809 0	S449 713 008 0
4.2 ft (1.3 m)			S449 713 013 0
4.6 ft (1.5 m)	R955365	441 032 817 0	
5.6 ft (1.7 m)	R955328	441 032 103 0	
5.8 ft (1.8 m)	R955341	441 032 813 0	S449 713 018 0
6.6 ft (2.0 m)	R955342	441 032 814 0	
10.0 ft (3.0 m)			S449 713 030 0
16.0 ft (5.0 m)			S449 713 050 0
39.0 ft (12.0 m)			S449 713 120 0
56.0 ft (17.0 m)			S449 713 170 0

Easy-Stop Power Cables

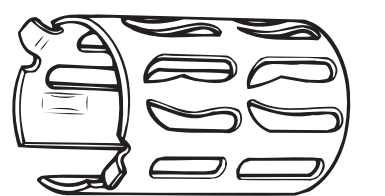
Length	With Weather Pack Connector	Blunt Cut Style	Diagnostic Cable	Enhanced with Weather Pack Connector	Enhanced Blunt Cut Style	Enhanced Y-Style Power/Diagnostic
1.5 ft (0.5 m)	S894 606 037 0			S449 326 005 4		S449 364 142 0
3.0 ft (1.0 m)	S894 604 944 0	S449 315 010 0		S449 326 010 0	S449 328 010 0	S449 364 143 0
10.0 ft (3.0 m)	S894 606 051 0	S449 315 030 0	SA1-3237-K-1103	S449 326 030 0	S449 328 030 0	
13.0 ft (4.0 m)	S894 604 945 0			S449 326 040 0		S449 364 150 0
14.0 ft (4.7 m)	S894 606 038 0			S449 326 047 0		
20.0 ft (6.0 m)	S894 606 050 0			S449 326 060 0		S449 364 153 0
36.0 ft (11.0 m)		S449 315 110 0			S449 328 110 0	
49.0 ft (15.0 m)		S449 315 150 0				
66.0 ft (20.0 m)		S449 315 200 0			S449 328 200 0	

Easy-Stop Modulator Valve Cables

Length	Before April 1999	After April 1999	Y-Style Before April 1999	Y-Style After April 1999	Enhanced	Enhanced Generic Input and Output
1.65 ft (0.5 m)					S894 606 275 2	
2.75 ft (0.8 m)	S449 421 008 0	S449 431 008 0				
3.0 ft (1.0 m)						S449 442 010 0
5.0 ft (1.5 m)	S449 421 015 0	S449 431 015 0			S449 441 015 0	
7.0 ft (2.0 m)	S449 421 020 0	S449 431 020 0				
10.0 ft (3.0 m)					S449 441 030 0	S449 404 048 0
14.0 ft (4.0 m)			S449 464 186 0	S449 474 186 0		
20.0 ft (6.0 m)		S449 431 060 0			S449 441 060 0	
26.0 ft (8.0 m)					S449 441 080 0	S449 404 055 0
36.0 ft (11.0 m)	S449 421 110 0	S449 431 110 0			S449 441 110 0	
39.0 ft (12.0 m)			S449 464 326 0	S449 474 326 0		
49.0 ft (15.0 m)	S449 421 150 0	S449 431 150 0				

Sensor Spring Clip

S899 759 815 4



Retrofit Kits to Replace Wabash National MBS1/MBS1P, Haldex or Bendix Equipped Trailers

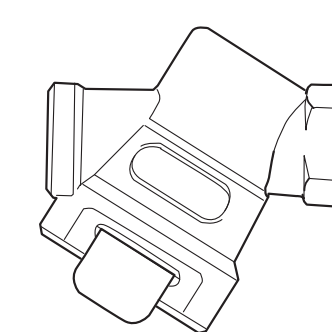
Converts competitively equipped trailers; or non-ABS equipped trailers; to WABCO Enhanced Easy-Stop. Determine the ABS set-up and the type of suspension on the trailer. Each kit contains an ECU/Valve Assembly, Power Cable, 1.0 ft Sensors, 6.6 ft Sensor Extension Cables and Sensor Spring Clips. Kits for slider suspensions feature a 14.0 ft Power Cable. Kits for stationary suspensions feature a 1.5 ft Power Cable.

	2S/1M Equipped Trailers	4S/2M Equipped Trailers
Slider Suspensions	R955374	R955375
Stationary Suspensions	R955376	R955377

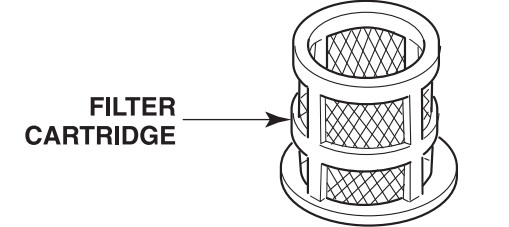
NOTE: For non-ABS equipped trailers, sensor blocks must be added to axle spindles and tooth wheels must be added to the hubs.

In-Line Filter

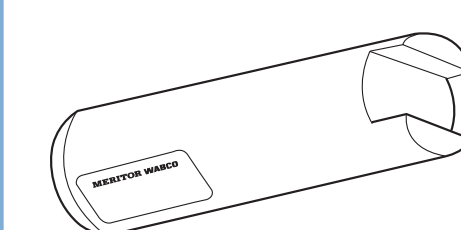
Prevents contamination of trailer's air system. Contamination of an ECU/Valve assembly will not be approved for warranty claims. Requires regular cleaning, but equipped with a bypass if needed.



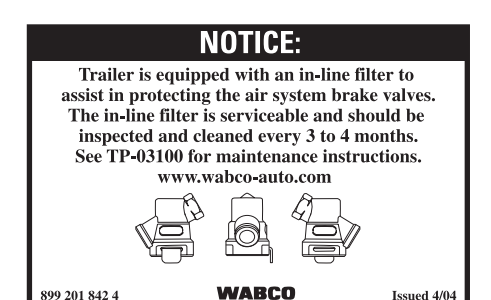
S432 500 005 0
Mount at each Gladhand



R955366
Service Kit for Filter Cartridge and O-Ring

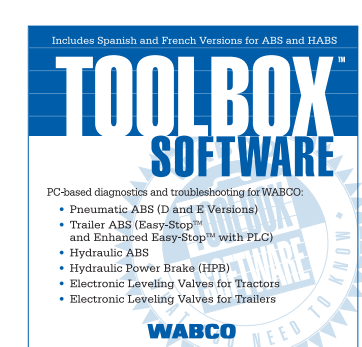


S100 100 002 4
Service Tool to Assist with Filter Cleaning



S899 201 842 4
In-Line Filter Label for Trailer

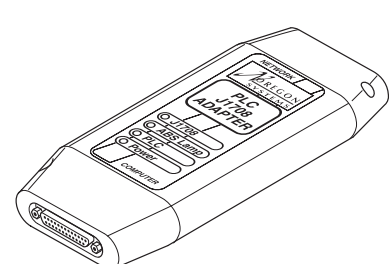
Diagnostic and Test Equipment



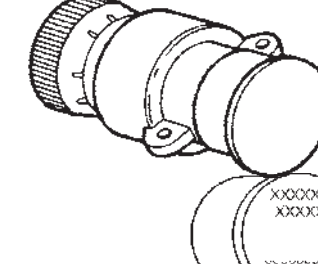
TOOLBOX™ Software
PC-based Diagnostics
To order call SPX
800-328-6657



PLC Datamaster
Stand-Alone ABS Data Extraction
To order call Pacific Insight
800-995-1155



PLC Tester
Power Line Carrier Diagnostics
To order call SPX
800-328-6657



S2237-Z-1222
Blink Code Activation Tool
To order call ArvinMeritor

855-228-3203
www.wabco-na.com